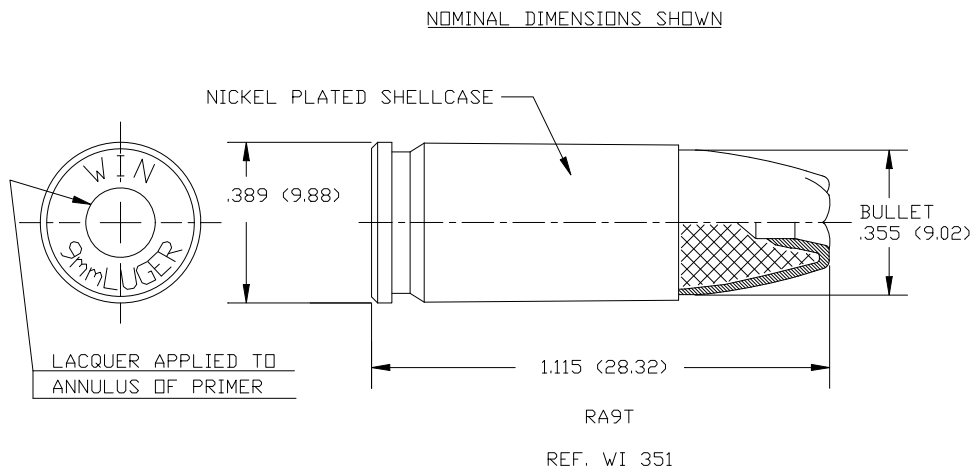




Winchester 9mm Luger (147) Ranger T-Series

- Symbol: **RA9T** – Winchester Ranger T-Series
- Shellcase: 9mm Luger nickel plated brass shellcase with cap lacquer
- Bullet: 147 grain (9.5 gram) SXT reverse tapered jacket, not blackened
Diameter .355 inch (9.02 mm)
- Powder: Clean burning, low flash
- Primer: Winchester non-corrosive primer – boxer type
- Accuracy: Product Mean of 1.50 inch (3.81 cm) Extreme Spread
5 shot targets at 50 yards (45.7 m) from a 4 inch (10.2 cm) SAAMI test barrel
- Velocity: 985 ft/sec (300 m/s) nominal at 15 ft (4.6 m)
Fired in a 4 inch (10.2 cm) standard SAAMI test barrel
- Energy: 317 ft-lb (430 joules)
- Pressure: 35,000 psi max. average (2,414 bars)
- Waterproofing: Lacquer applied to primer annulus



INFORMATION PUBLISHED HEREIN IS SUBJECT TO CHANGE AT MANUFACTURER'S DISCRETION WITHOUT NOTICE.

PRODUCT INFORMATION SHEET #103
Rev. B - 10-7-2005

OLIN CORPORATION • WINCHESTER DIVISION • 427 NORTH SHAMROCK STREET • EAST ALTON, IL 62024-1197
TELEPHONE: 618 258-2000 • WEB SITE: www.winchester.com